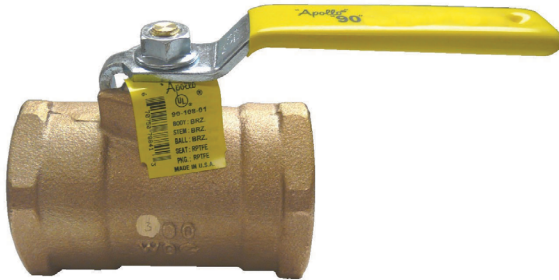


data sheet

90-100 series

UL listed unibody bronze threaded ball valve



description

The "Apollo"® 90-100 series is a unibody heavy pattern ball valve. A compact 400 psig CWP valve that's UL listed for fuel, inert gases and flammable liquids. Features ASTM grade bronze body, RPTFE seats and seals.

size range

- 1/2" - 2"

connections

- threaded

configurations

- 90-100 series - standard

approvals

- MSS SP-110
- Buy American Act (BAA)
- Build America Buy America (BABA) Act
- UL 842 - valves for flammable fluids, guides YRBX, YRPV, and MHKZ to 400 psig maximum
- UL 1477 - compressed gas shutoff valves, guide YQNZ to 400 psig maximum



this specification is provided for reference only. we reserve the right to change any portion of this specification without notice and without incurring obligation to make such changes to Aalberts integrated piping systems products previously or subsequently sold.

Aalberts integrated piping systems

10715 Sikes Place / suite 200 / Charlotte / NC / 28277

aalberts-ips.us

features

- blowout-proof stem design
- reduced port
- 1-piece bronze body
- manufactured in the USA - BABA and BAA compliant

component	material
body	bronze, ASTM B584-C84400
retainer	brass, ASTM B16-C36000
ball	stainless steel, ASTM A276-316
seat (2)	RPTFE
stem	brass, ASTM B16-C36000
stem packing	RPTFE
stem nut	brass, ASTM B16-C36000
handle	steel, zinc plated with vinyl
gland nut	brass, ASTM B16-C36000

performance rating

CWP

400 psig

job name

job location

engineer

contractor

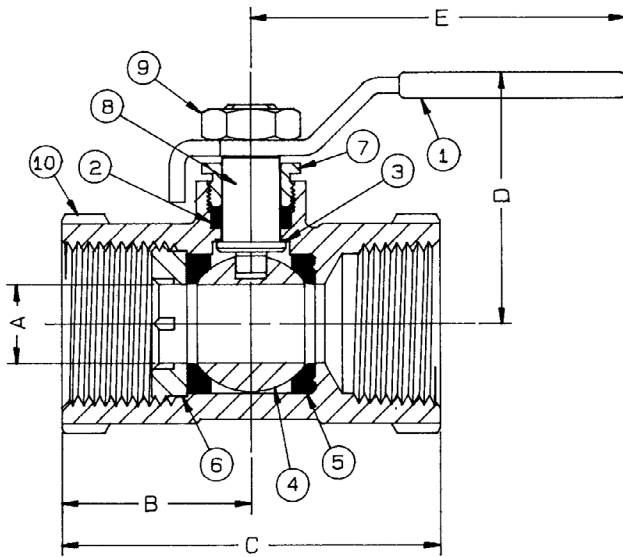
tag

PO#

rep

wholesaler dist

data sheet



dimensions

part number	size	a	b	c	d	e
90-103-01	½"	0.37"	1.14"	2.15"	1.68"	3.87"
90-104-01	¾"	0.50"	1.36"	2.61"	1.75"	3.87"
90-105-01	1"	0.62"	1.50"	2.90"	2.00"	4.87"
90-106-01	1 ¼"	0.81"	1.81"	3.50"	2.18"	4.87"
90-107-01	1 ½"	1.00"	2.06"	3.79"	2.62"	5.50"
90-108-01	2"	1.25"	2.43"	4.42"	2.81"	5.50"

options

option	component	size
(-01)	standard	all
(-02)	static grounded	all
(-04)	2 ¼" stem extension (carbon steel, zinc plated)	all
(-05)	plain ball	all
(-07)	steel tee handle	all
(-15)	wheel handle, steel	all
(-27)	ss latch-lock lever & nut (standard configuration)	all
(-57)	oxygen cleaned	all