

data sheet

# 77CLF-100/200-A series

2-piece full port bronze ball valve | lead-free



### features

- easily identifiable white handle and
- blue "lead free" hang tag
- EZ-Solder™ lead free bronze
- lead-free brass & bronze materials
- blowout-proof stem
- 100% factory tested
- RPTFE seats & seals
- manufactured in the USA - BABA and BAA compliant

### description

The "Apollo"® 77CLF-A series "contractor grade" lead-free ball valve features a dezincification resistant bronze body, premium RPTFE seats and stem packing and a "solid ball" design that delivers true full-port flow performance. Cast and machined in our South Carolina manufacturing plants using proven ASTM materials.

\*lead-free: the wetted surfaces of this product shall contain no more than 0.25% lead by weighted average. Complies with Federal Public Law 111-380. ANSI 3rd party approved and listed.

### size range

- ¼" - 2 ½"

### connections

- threaded
- solder

### configurations

- 77CLF-140/240A series - 316 ss vented ball & stem

### approvals

- MSS SP-110 ball valves
- IAPMO/ANSI Z1157 ball valves
- CRN: 0C10908.5C
- NSF/ANSI/CAN 61 water quality
- NSF/ANSI/CAN 372 lead free
- Buy American Act (BAA)
- Build America Buy America (BABA) Act



this specification is provided for reference only. we reserve the right to change any portion of this specification without notice and without incurring obligation to make such changes to Aalberts integrated piping systems products previously or subsequently sold.

### Aalberts integrated piping systems

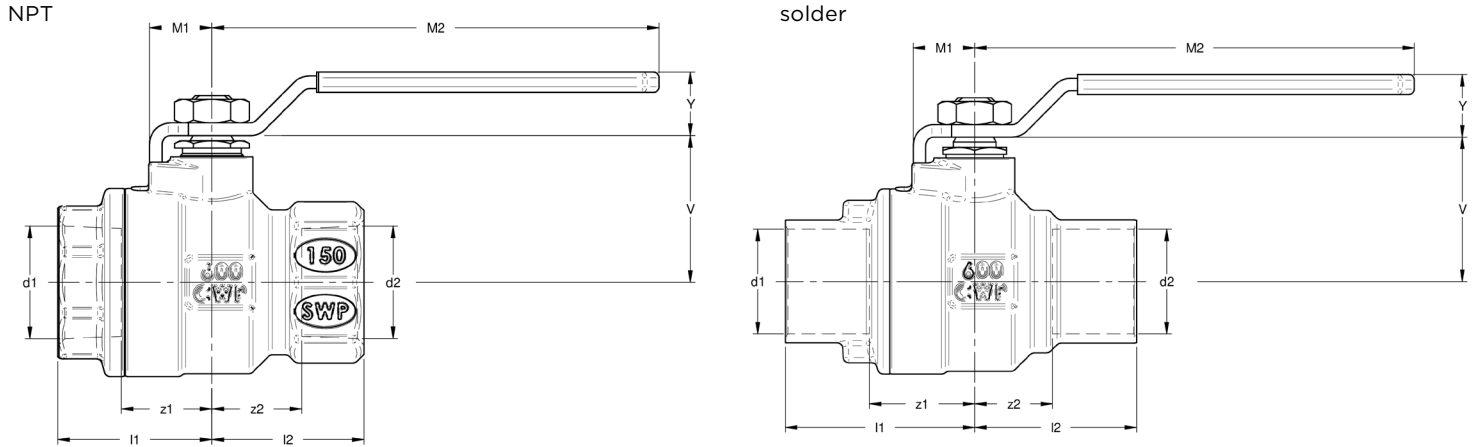
10715 Sikes Place / suite 200 / Charlotte / NC / 28277  
[aalberts-ips.us](http://aalberts-ips.us)

component	material
body	lead-free bronze, ASTM B584, C89836
retainer	lead-free DZR brass, ASTM B927, C27451 (¼" - 1") lead-free bronze, ASTM B584, C89836 (1 ¼" - 2 ½")
ball	stainless steel, ASTM A276-316 or lead-free DZR brass, ASTM B927, C27451
seat	RPTFE
stem	lead-free DZR brass, ASTM B927, C27451
gland nut	brass, ASTM B16, C36000
stem packing	RPTFE
handle	zinc plated steel/vinyl
stem nut	zinc plated steel

performance rating			
CWP	SWP	temperature	vacuum service
600 psi	150 psi	0°F - 450°F	29 in. Hg

job name	
job location	
engineer	
contractor	
tag	
PO#	
rep	
wholesaler dist	

data sheet



dimensions

NPT

part number	size	bore size	d1	d2	l1	l2	z1	z2	M1	M2	V	Y	weight
77CLF-10101-A	¼"	0.37"	0.54"	0.54"	0.88"	0.92"	0.51"	0.53"	0.52"	2.86"	0.99"	0.63"	0.60 lbs
77CLF-10201-A	⅜"	0.37"	0.68"	0.68"	0.94"	0.92"	0.53"	0.51"	0.52"	2.86"	0.99"	0.63"	0.55 lbs
77CLF-10301-A	½"	0.50"	0.84"	0.84"	1.14"	1.15"	0.61"	0.62"	0.55"	3.86"	1.03"	0.66"	0.63 lbs
77CLF-10401-A	¾"	0.75"	1.05"	1.05"	1.34"	1.33"	0.79"	0.78"	0.55"	3.86"	1.25"	0.66"	1.00 lbs
77CLF-10501-A	1"	1.00"	1.32"	1.32"	1.63"	1.62"	0.97"	0.96"	0.67"	4.76"	1.56"	0.68"	1.83 lbs
77CLF-10601-A	1¼"	1.25"	1.66"	1.66"	1.90"	1.85"	1.22"	1.16"	0.67"	4.76"	1.78"	0.68"	4.20 lbs
77CLF-10701-A	1½"	1.50"	1.90"	1.90"	2.06"	2.05"	1.38"	1.37"	0.98"	5.40"	2.19"	0.70"	4.60 lbs
77CLF-10801-A	2"	2.00"	2.38"	2.38"	2.43"	2.42"	1.74"	1.72"	1.00"	7.75"	2.77"	0.90"	7.90 lbs
77CLF-10901-A	2½"	2.50"	2.88"	2.88"	3.03"	2.99"	2.10"	2.06"	1.00"	7.75"	3.22"	0.90"	16.43 lbs

solder

part number	size	bore size	d1	d2	l1	l2	z1	z2	M1	M2	V	Y	weight
77CLF-20201-A	⅜"	0.37"	0.68"	0.68"	0.94"	0.92"	0.53"	0.51"	0.52"	2.86"	0.99"	0.63"	0.55 lbs
77CLF-20301-A	½"	0.50"	0.84"	0.84"	1.14"	1.15"	0.61"	0.62"	0.55"	3.86"	1.03"	0.66"	0.63 lbs
77CLF-20401-A	¾"	0.75"	1.05"	1.05"	1.34"	1.33"	0.79"	0.78"	0.55"	3.86"	1.25"	0.66"	1.00 lbs
77CLF-20501-A	1"	1.00"	1.32"	1.32"	1.63"	1.62"	0.97"	0.96"	0.67"	4.76"	1.56"	0.68"	1.50 lbs
77CLF-20601-A	1¼"	1.25"	1.66"	1.66"	1.90"	1.85"	1.22"	1.16"	0.67"	4.76"	1.78"	0.68"	3.90 lbs
77CLF-20701-A	1½"	1.50"	1.90"	1.90"	2.06"	2.05"	1.38"	1.37"	0.98"	5.40"	2.19"	0.70"	5.90 lbs
77CLF-20801-A	2"	2.00"	2.38"	2.38"	2.43"	2.42"	1.74"	1.72"	1.00"	7.75"	2.77"	0.90"	7.50 lbs
77CLF-20901-A	2½"	2.50"	2.88"	2.88"	3.03"	2.99"	2.10"	2.06"	1.00"	7.75"	3.22"	0.90"	14.50 lbs

options

option	component	size
(-01)	standard lever and trim	all
(-04)	2 ¼" cs stem extension	all
(-07)	steel tee handle	all
(-10)	SS lever & nut	all
(-11)	Therma-Seal™ insulating tee handle	all
(-27)	ss latch-lock lever & nut	all
(-50)	2 ¼" CS locking stem extension	all
(-94)	2 ¼" stem extension & balancing stop	all
(77C-140/240 series)	316 SS vented ball & stem	all