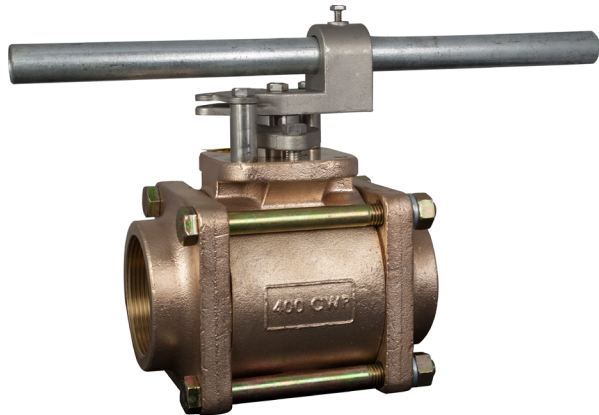


data sheet

82A-140 series

3-piece full port threaded bronze ball valve 3" - 4"



description

The "Apollo"® 82A-140 series is designed as an in-line serviceable full port bronze ball valve. SAE grade body bolts and RPTFE seals are standard. Proudly manufactured in our South Carolina facilities.

size range

- 3" - 4"

connections

- threaded

configurations

- 82A-140 series - standard

approvals/compliance

- MSS SP-110
- CSA B51 CRN: 0C10908.5C
- Buy American Act (BAA)
- Build America Buy America (BABA) Act

features

- dezincification resistant bronze body
- adjustable packing gland
- blowout proof stem design
- premium RPTFE seats and seals
- 316 stainless steel ball and stem are standard
- full port ball configuration in all sizes
- 100% factory tested
- heavy-duty adjustable/reversible locking handle
- manufactured in the USA - BAA and BABA compliant

component	material
body	bronze, ASTM B584-C84400
ball	stainless steel, ASTM A276-316
seat (2)	RPTFE
stem	stainless steel, ASTM A276-316
gland nut	brass ASTM B16, C36000
stem packing	MPTFE
stem bearing	RPTFE
handle	steel, zinc plated
end cap (2)	bronze, ASTM B584-C84400
lever nut	steel, zinc plated
body bolt	steel, zinc plated
hex nut	steel, zinc plated

performance rating

CWP	SWP	temperature	vacuum service
400 psig (maximum)	150 psig (maximum)	400°F (maximum)	29 in. Hg



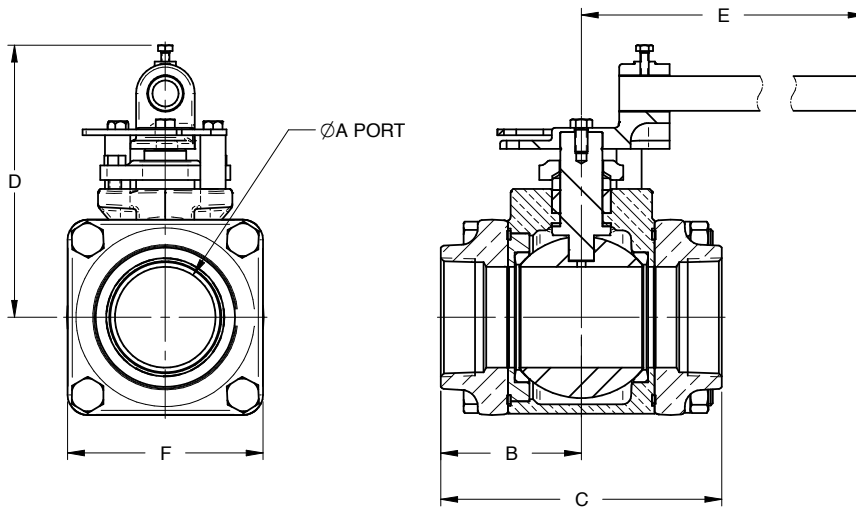
this specification is provided for reference only. we reserve the right to change any portion of this specification without notice and without incurring obligation to make such changes to Aalberts integrated piping systems products previously or subsequently sold.

Aalberts integrated piping systems

10715 Sikes Place / suite 200 / Charlotte / NC / 28277
aalberts-ips.us

job name	
job location	
engineer	
contractor	
tag	
PO#	
rep	
wholesaler dist	

data sheet



dimensions

part number	size	a	b	c	d	e	f	weight
82A-140-01	3"	3.00"	4.18"	8.37"	8.10"	19.13"	5.82"	43.00 lbs
82A-14A-01	4"	4.00"	5.43"	10.86"	8.88"	19.13"	7.77"	106.00 lbs

* 3" & 4" valves come standard with SS ball and stem (not optional) and adjustable length locking handles

options

option	component	size	option	component	size
(-P-01)	BSPP (parallel) thread connection	all	(-35)	PTFE trim	all
(-T-01)	BSPT (tapered) thread connection	all	(-45)	less lever & nut	all
(-01)	standard	all	(-49)	no lubrication. assembled dry.	all
(-02)	stem grounded	all	(-56)	MPTFE seats and packing	all
(-08)	90° reversed stem	all	(-57)	oxygen cleaned	all
(-14)	side vented ball (uni-directional)	all	(-59)	SS external trim	3" to 4"
(-24)	graphite packing, PTFE body seal, RPTFE bearing (API 607, 6th edition, ISO 10497:2010)	all	(-60)	static grounded ball & stem	all
			(-62)	body center section only	all
			(-63)	NPT x solder	3" to 4"